



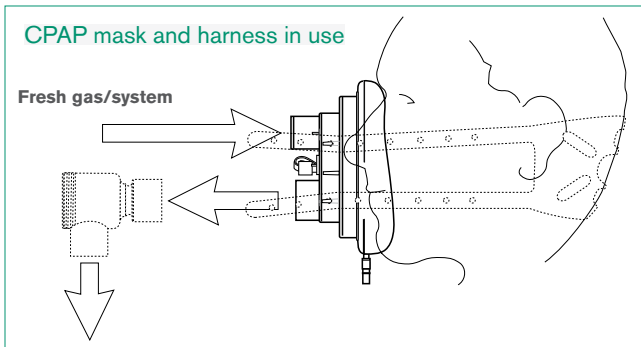
Twin-ported CPAP mask and harness



Critical Care ▪ Patient Interfaces

CPAP mask and harness

The Intersurgical twin-ported CPAP mask offers a comfortable interface to the patient and is available in two sizes: small and medium/large adult. The soft anatomically shaped cushion will comfortably fit a wide range of patient faces. A number of other key benefits are highlighted below.



Flutter valves

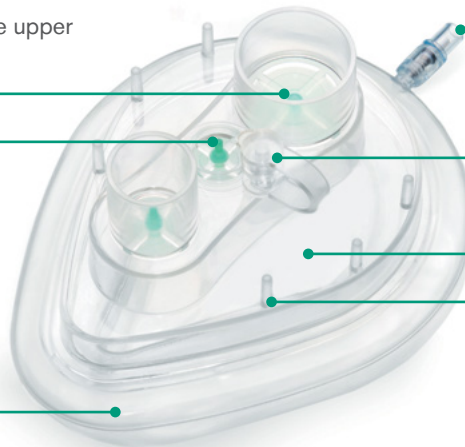
To ensure the patient inhales through the upper port and exhales through the lower port

Safety flutter valves

To allow the patient to breathe if there is an occlusion, or the patient 'outstrips' the set flow

Soft anatomical cushion

Comfortable fit for a wide range of patient profiles



Cushion valve

To allow for adjustment of cushion pressure for improved comfort and fit

Monitoring port

To allow connection of supplemental oxygen or monitoring

Clear, strong mask

To allow for easy patient assessment

Six fixing points

To optimize the seal when using the Intersurgical harness

illustrated

Code	Description	Box Qty.
2222000	Twin ported CPAP mask adult, medium/large	12
2221000	Twin ported CPAP mask adult, small	12
2224000	Harness for CPAP mask adult, medium/large	12
2223000	Harness for CPAP mask adult, small	12

Please think before you print

Save energy and paper. If you must print this information sheet please print it double sided.

IS1.7 • Issue 3 01.18



Intersurgical Ltd, Crane House, Molly Millars Lane, Wokingham, Berkshire, RG41 2RZ, UK
 T: +44 (0)118 9656 300 F: +44 (0)118 9656 356 info@intersurgical.com www.intersurgical.com

UK ▪ Ireland ▪ France ▪ Germany ▪ Spain ▪ Portugal ▪ Italy ▪ Benelux ▪ Sweden ▪ Denmark ▪ Lithuania ▪ Russia ▪ Czech Republic
 Turkey ▪ South Africa ▪ China ▪ Japan ▪ Taiwan ▪ Philippines ▪ USA ▪ Canada ▪ Colombia ▪ Australia